

ARCTIC CHILL

BEER SYSTEMS
Glycol Chilling Units

Discover a complete range of essential products for a top-notch beer system at ICI

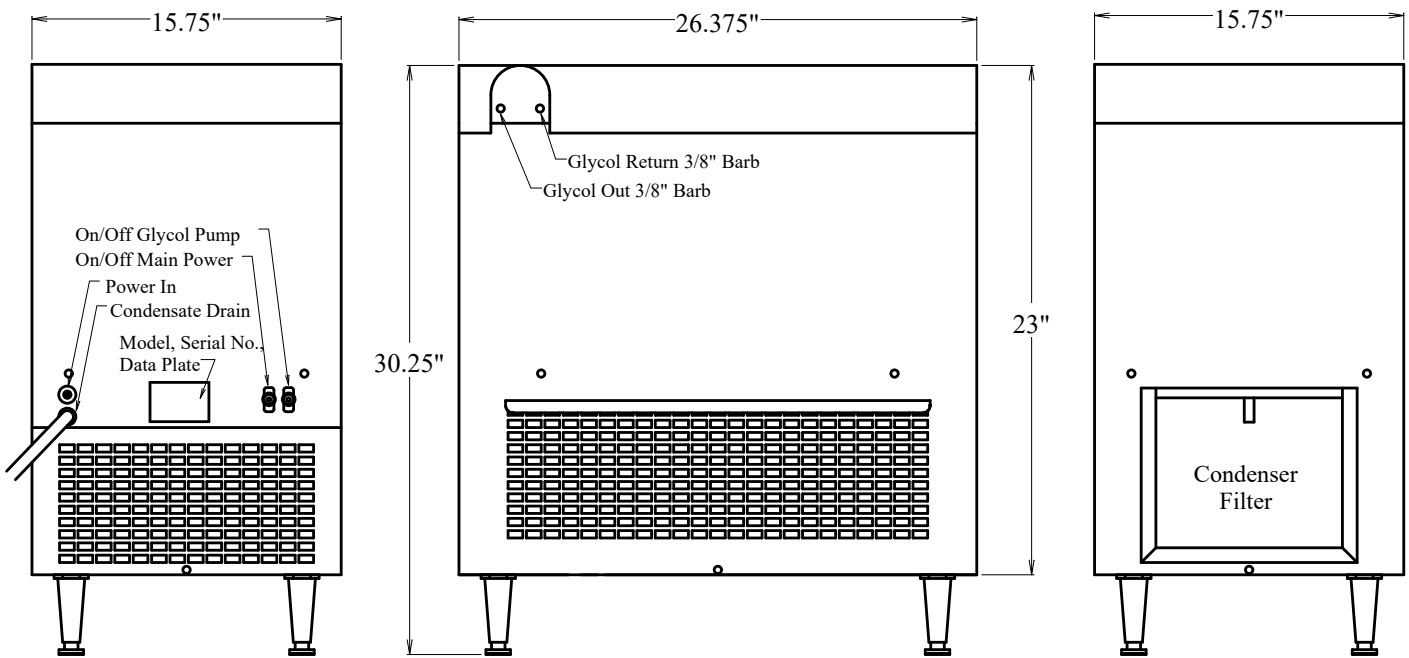
SCR-GLY150



Features:

- 1/2 Horse power
- 150' Max. line run
- Rated for real world operating conditions up to 100°F
- Quiet operation
- Environmentally friendly 134A refrigerant
- Durable easy to clean cabinet
- All components are contained inside cabinet
- Made in the USA
- Operates off a 120 VAC, 30 AMP dedicated circuit (Electrical power hard wired to unit)
- Available with dual recirculation pumps - Model SCR-GLY150-D

SCR-GLY150 ARCTIC CHILL BEER SYSTEM



*No power cord. Must be hard wired.

Chiller horse power	1/2 H.P.
R-134a	9.5 oz
Voltage/phase/amps	120/1/18
Refrigeration ampacity	11.5
Pump ampacity	6.5
Glycol pumps	1
Height	30.25"
Depth	15.75"
Width	26.375"
Ship weight	162 lbs
Dry weight	127 lbs
Operational weight	204.5 lbs
Glycol reserve	8 gal
Max. line run	150'
Max. number of beers	8

ACCESSORIES:

Beer panels:

- 70012-R-WB: 2 sec. reg. / 2 wall brackets
- 700113-R-WB: 3 sec. reg. / 3 wall brackets
- 700112-R-F: 2 sec. reg. / 2 FOB
- 700113-R-F: 3 sec. reg. / 3 FOB
- 700112-R-F-P: 2 sec. reg. / 2 FOB / 2 Beer Pumps w/ reg.
- 700113-R-F-P: 3 sec. reg. / 3 FOB / 3 Beer Pumps w/ reg.

Primary regulators:

- 24PL/H2L1U2: CO2, 0-60 PSI, with shut off and 5/16" barb
- 24PLN/H1L1U2: N2, 0-60 PSI, with shut off and 5/16" barb

Wall brackets:

- CWB1: Single CO2/N2 gas cylinder wall bracket
- CWB2: Twin CO2/N2 gas cylinder wall bracket
- WMB-GLY: Wall Mounting
- S1318-SET: Low profile, adjustable glide feet

Trunkline:

- 700140-2: (2) 3/8" ID, glycol only recirculation tubing
- 700144: (4) 3/8" ID, beer tubing & (2) 3/8" ID, glycol recirculation tubing
- 700146: (6) 3/8" ID, beer tubing & (2) 3/8" ID, glycol recirculation tubing
- 700148: (8) 3/8" ID, beer tubing & (2) 3/8" ID, glycol recirculation tubing

Beverage systems for every application and use.

16630 Koala Rd, Adelanto, CA 92301 | (800) 854-1177 | ici.us

ICI INTERNATIONAL
CARBONIC INC.