

# JUICE BLAST

**JUICE EQUIPMENT**  
Countertop Fountain Dispensers

Discover a complete range of essential products for a top-notch juice system at ICI

## LF-MS-J JUICE & AGUA FRESCA CHILLER DISPENSER

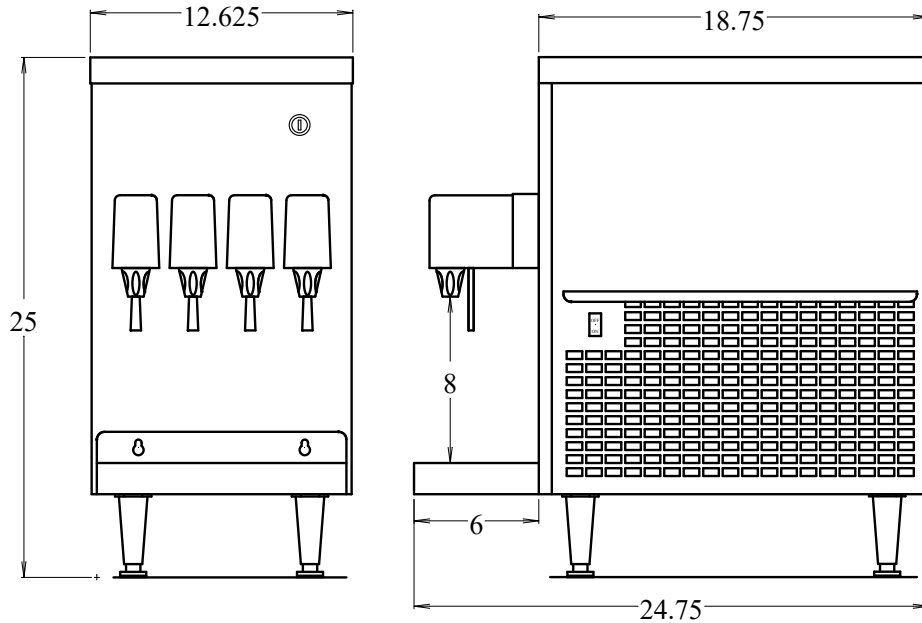


### Features:

- Self-contained, countertop, non-carb, post-mix, fountain dispenser
- Mechanical refrigeration with 5-gallon water bath & 17lb. ice bank
- Water coil submerged in water bath to achieve optimum dispense temperature
- Available with up to 4 non-carb valves
- Electric key lock for easy cleaning or to lock out dispenser
- PFC-II-QR electric valves for ease of service
- Rated for 3 twelve-ounce drinks per minute (<45°F with an influent water temperature of <75°F)
- Graphics on 3 sides
- 304 brushed SS faucet plate and removable drip pan
- ETL and NSF Listed
- Made in the USA

# LF-MS-J

## JUICE EQUIPMENT Countertop Fountain Dispensers



Chiller horse power	1/5 H.P.
Voltage/phase/amps	120/1/4.25
Refrigeration ampacity	3.2
Height	25"
Depth	24.75"
Width	12.625"
Ship weight	128 lbs
Dry weight	93 lbs
Draw rate	3-12 oz/min
Water bath	5 gal
Ice bank	17 lbs

### ACCESSORIES:

- CR-24FCP: Twin filter system with prefilter, with compact fibredyne filters, 19"H x 17"W 5 gpm, 30,000 gal, TOC & 1/2 micron filtration
- CR-24FC: Twin filter system without prefilter, with compact fibredyne filters, 19"H x 17"W 5 gpm, 30,000 gal, TOC & 1/2 micron filtration
- BIB-RACK 4FL: Backroom kit, 4 BIB pumps, two wide by two high flat shelves

**Beverage systems for every application and use.**

16630 Koala Rd, Adelanto, CA 92301 | (800) 854-1177 | [ici.us](http://ici.us)

**ICI** INTERNATIONAL  
CARBONIC INC.