

ARCTIC CHILL

BEER SYSTEMS
Glycol Chilling Units

Discover a complete range of essential products for a top-notch beer system at ICI

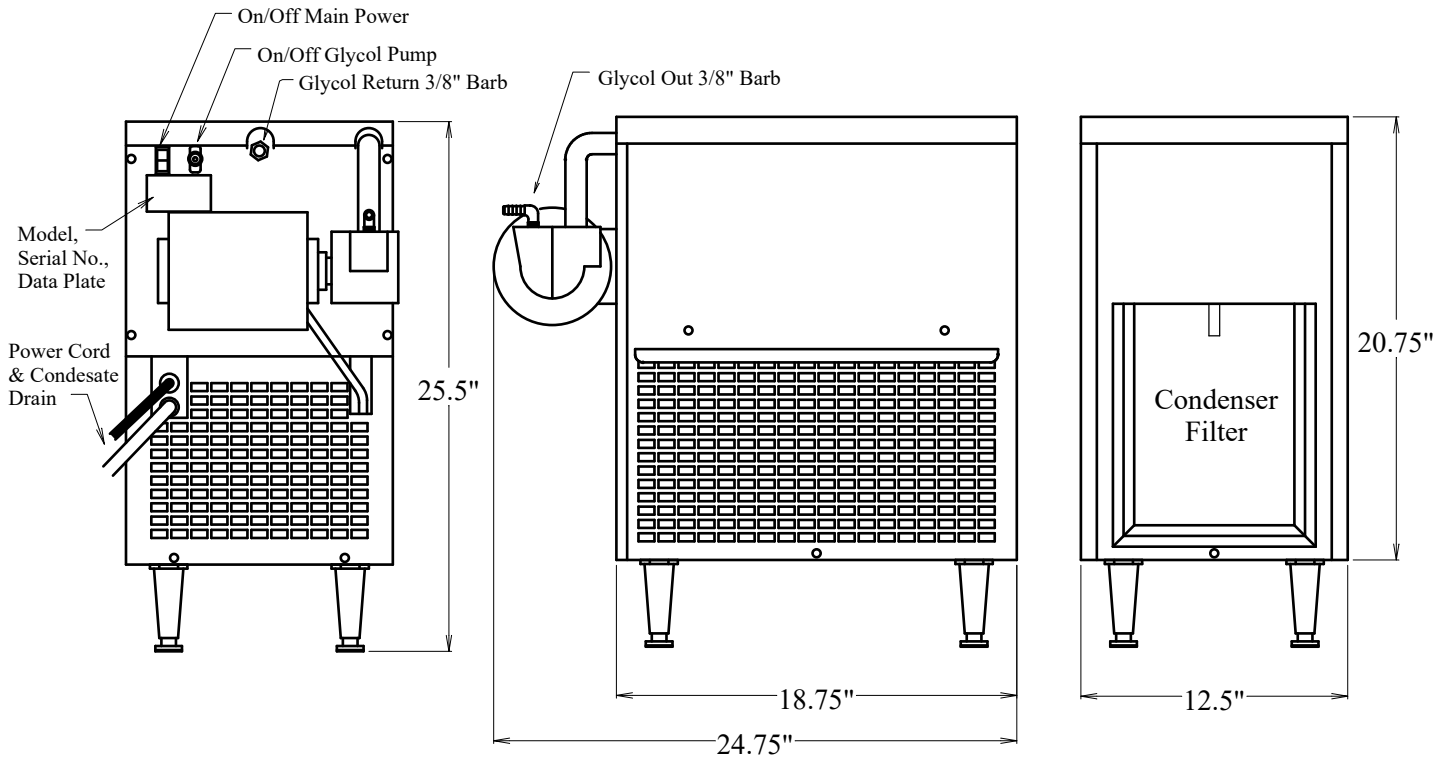
LF-MS-GLY50



Features:

- 1/5 Horse power
- 50' Max. line run
- Rated for real world operating conditions up to 100°F
- Quiet operation
- Environmentally friendly 134A refrigerant
- Durable easy to clean cabinet
- Made in the USA
- Operates off a 120 VAC, 20 amp dedicated circuit

LF-MS-GLY50 ARCTIC CHILL BEER SYSTEM



| | |
|------------------------|-----------|
| Chiller horse power | 1/5 H.P. |
| R-134a | 6.3 oz |
| Voltage/phase/amps | 120/1/9.7 |
| Refrigeration ampacity | 3.2 |
| Pump ampacity | 6.5 |
| Glycol pumps | 1 |
| Height | 24.5" |
| Depth | 24.75" |
| Width | 12.5" |
| Ship weight | 125 lbs |
| Dry weight | 90 lbs |
| Operational weight | 130 lbs |
| Glycol reserve | 4 gal |
| Max. line run | 50' |
| Max. number of beers | 6 |

ACCESSORIES:

Beer panels:

- 70012-R-WB: 2 sec. reg. / 2 wall brackets
- 700113-R-WB: 3 sec. reg. / 3 wall brackets
- 700112-R-F: 2 sec. reg. / 2 FOB
- 700113-R-F: 3 sec. reg. / 3 FOB
- 700112-R-F-P: 2 sec. reg. / 2 FOB / 2 Beer Pumps w/ reg.
- 700113-R-F-P: 3 sec. reg. / 3 FOB / 3 Beer Pumps w/ reg.

Primary regulators:

- 24PL/H2L1U2: CO2, 0-60 PSI, with shut off and 5/16" barb
- 24PLN/H1L1U2: N2, 0-60 PSI, with shut off and 5/16" barb

Wall brackets:

- CWB1: Single CO2/N2 gas cylinder wall bracket
- CWB2: Twin CO2/N2 gas cylinder wall bracket
- WMB-GLY: Wall Mounting
- S1318-SET: Low profile, adjustable glide feet

Trunkline:

- 700140-2: (2) 3/8" ID, glycol only recirculation tubing
- 700144: (4) 3/8" ID, beer tubing & (2) 3/8" ID, glycol recirculation tubing
- 700146: (6) 3/8" ID, beer tubing & (2) 3/8" ID, glycol recirculation tubing

Beverage systems for every application and use.

16630 Koala Rd, Adelanto, CA 92301 | (800) 854-1177 | ici.us

ICI INTERNATIONAL
CARBONIC INC.