

SODA FAST

FOUNTAIN EQUIPMENT Countertop Fountain Dispensers

Discover a complete range of essential products for a top-notch fountain system at ICI

LF-12 LF-23 POST-MIX FOUNTAIN DISPENSER



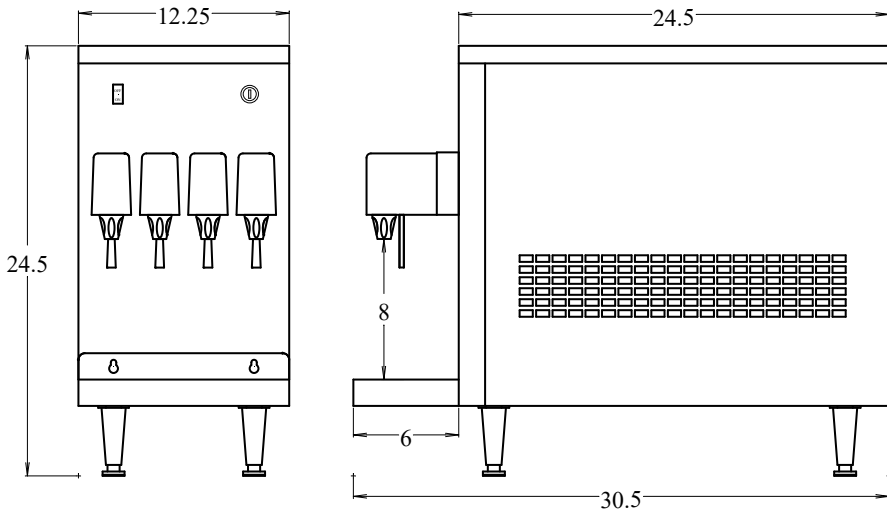
Qty	Part
<input type="checkbox"/>	LF-12-4-4H (4 carb)
<input type="checkbox"/>	LF-12-4-3HS 4 valves 4 flavors (3 carb, 1 non-carb)
<input type="checkbox"/>	LF-12-5-4HS 5 valves 5 flavors (4 carb, 1 non-carb)
<input type="checkbox"/>	LF-23-4-4H (4 carb)
<input type="checkbox"/>	LF-23-4-3HS 4 valves 4 flavors (3 carb, 1 non-carb)
<input type="checkbox"/>	LF-23-6-6H (6 carb)
<input type="checkbox"/>	LF-23-6-5HS 6 valves 6 flavors (5 carb, 1 non-carb)

Features:

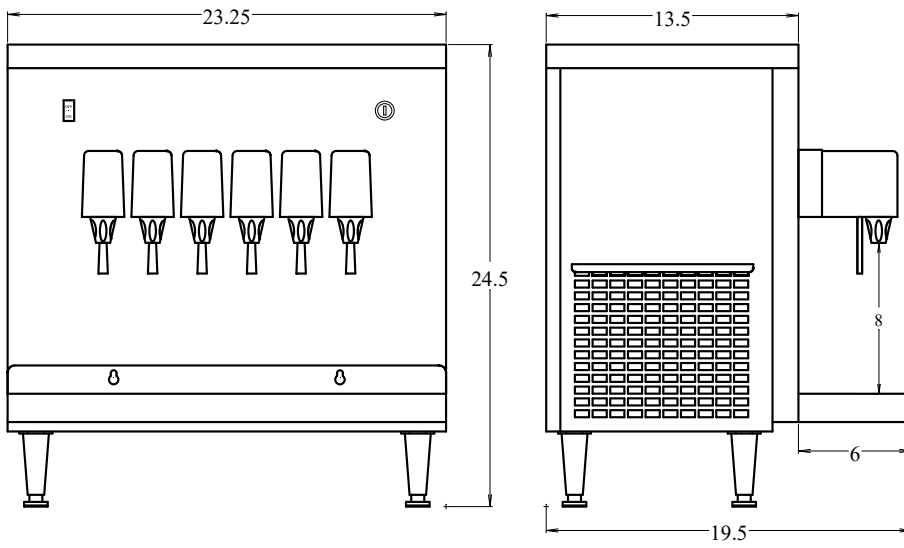
- Self-contained, countertop, cold carb, post-mix, fountain dispenser
- Mechanical refrigeration with 4-gallon water bath & 9.5lb. ice bank
- Carbonator tank, water and syrup coils submerged in water bath to achieve optimum dispense temperature
- Available with up to 6 valves (carbonated and non-carb)
- Electric key lock for easy cleaning or to lock out dispenser
- PFC-II-QR electric valves for ease of service
- Rated for 1½ twelve-ounce drinks per minute (<40°F with an influent water temperature of <75°F)
- Graphics on 3 sides with 304 SS faucet plate and removable drip pan
- ETL and NSF Listed
- Made in the USA

LF-12 LF-23

FOUNTAIN EQUIPMENT Countertop Fountain Dispensers



LF-12	
Chiller horse power	1/5 H.P.
Voltage/phase/amps	120/1/10.75
Refrigeration ampacity	3.2
Pump ampacity	6.5
Height	24.5"
Depth	30.5"
Width	12.25"
Ship weight	150 lbs
Dry weight	115 lbs
Water bath	4 gal
Ice bank	9.5 lbs



LF-23	
Chiller horse power	1/5 H.P.
Voltage/phase/amps	120/1/10.75
Refrigeration ampacity	3.2
Pump ampacity	6.5
Height	24.5"
Depth	19.5"
Width	23.25"
Ship weight	150 lbs
Dry weight	115 lbs
Water bath	4 gal
Ice bank	9.5 lbs

ACCESSORIES:

- 24PL/H1L3U8B13: Primary CO2 regulator, high-pressure 160 PSI 1/4" flare with check valve, nylon flare and cylinder washer
- CR-CWB1: Single cylinder wall bracket to safely strap and secure cylinders to the wall
- CR-CWB2: Two cylinders wall bracket to safely strap and secure cylinders to the wall
- CR-CTAC2: CO2 cylinder auto change over device. Connects two cylinders at one time to double your CO2 capacity
- CR-24FCP: Twin filter system with prefilter, with compact fibredyne filters, 19"H x 17"W 5 gpm, 30,000 gal, TOC & 1/2 micron filtration
- CR-24FC: Twin filter system without prefilter, with compact fibredyne filters, 19"H x 17"W 5 gpm, 30,000 gal, TOC & 1/2 micron filtration
- BIB-RACK 4FL: Backroom kit, 4 BIB pumps, two wide by two high flat shelves
- BIB-RACK 6FL: Backroom kit, 6 BIB pumps, two wide by two high flat shelves

Beverage systems for every application and use.

16630 Koala Rd, Adelanto, CA 92301 | (800) 854-1177 | ici.us

ICI INTERNATIONAL
CARBONIC INC.