

ARCTIC SHOT

LIQUOR EQUIPMENT
Liquor Dispense System

Discover a complete range of essential products for a top-notch liquor dispense system at ICI

CS-HU CS-HU W/DECAL LIQUOR DISPENSE CHILLER



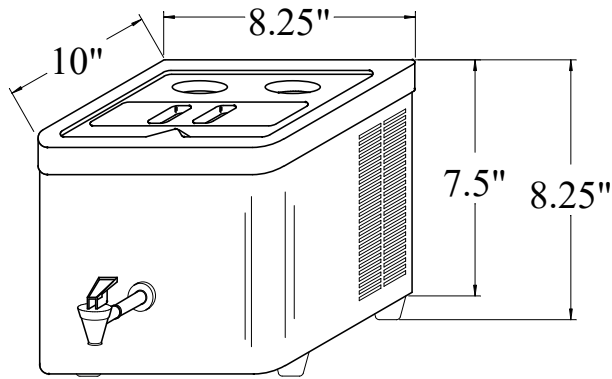
*Custom graphics available

Features:

- Thermoelectric chilling technology holds and dispenses spirits at 20°F
- A minimum of 2" clearance required around cabinet on all sides for ventilation and lid removal
- Initial pull down: From 75°F to 20°F. 4 hours
- Chilled shots are smooth and taste great!
- Great for parties and events or keeping spirits ice cold and on tap
- Works with most liquor bottle types
- Comes with three different bottle adapters and a cover cap

CS-HU CS-HU W/DECAL

LIQUOR EQUIPMENT Liquor Dispense System



| | |
|------------------------|--------------------------------------|
| Input voltage | 100 VAC to 240 VAC / 60hz / 60 watts |
| Refrigeration ampacity | 1.2 |
| Height | 8.25" |
| Depth | 10" |
| Width | 8.25" |
| Ship weight | 10 lbs |
| Dry weight | 7 lbs |
| Liquid capacity | 75 mL |

Parts Supplied:

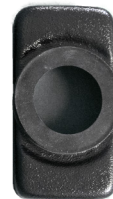
- S1578 - Large bottle support
- S1577 - Medium bottle support
- S1576 - Small bottle support
- S1575 - Rubber boot (shown on picture of S1576)
- S1579 - Cover
- S1599 - Power supply



S1578



S1577



S1576



S1575

Beverage systems for every application and use.

16630 Koala Rd, Adelanto, CA 92301 | (800) 854-1177 | ici.us

