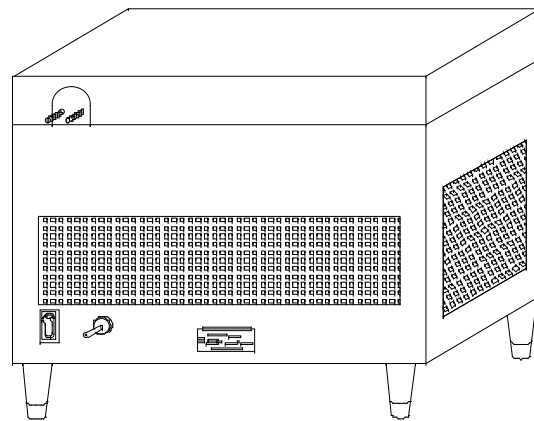


SCR-GLY

" Space Cadet Remote-Glycol "



INSTALLATION/INSTRUCTION MANUAL



INTERNATIONAL CARBONIC INC.

16630 KOALA ROAD.

ADELANTO, CA 92301

800 854-1177

IMPORTANT: This manual is a guide for installing, operating, servicing and maintaining this equipment. Refer to Table of Contents for page location of detailed information to answer questions that arise during installation, operating, service and maintenance, or installation of this equipment.

TABLE OF CONTENTS

	Page
PREFACE	1
CHAPTER I GENERAL DESCRIPTION.....	1-1
SYSTEM DESCRIPTION.....	1-1
DESIGN DATA	1-2
EXPLODED VIEW.....	1-3
EXPLODED VIEW PARTS DESCRIPTION	1-4
ELECTRICAL SCHEMATIC SINGLE PUMP.....	1-5
ELECTRICAL SCHEMATIC DUAL PUMP	1-6
CHAPTER II INSTALLATION	2-1
UNPACKING AND INSPECTION	2-1
SELECTING LOCATION	2-1
LOCATION RECOMMENDATIONS FOR SCR-GLY GLYCOL.....	2-1
INSTALLATION.....	2-2
INSTALL COOLING UNIT.....	2-2
INSTALL HIGH PRESSURE CO2 REGULATOR, CO2 CYLINDER, AND LINES	2-2
INSTALL DRAIN LINE.....	2-2
INSTALL DISPENSING STATION.....	2-2
INSTALL DUCT TUBING	2-3
ELECTRICAL REQUIREMENTS.....	2-3
CHAPTER III PREPARATION	3-1
PREPARING SYSTEM FOR OPERATION.....	3-1
PREPARING AND STARTING REFRIGERATION UNIT	3-1
ACTIVATE HIGH PRESSURE CO2 SYSTEM	3-2
ACTIVATE LOW PRESSURE CO2 GAS	3-2
ADJUST WATER FLOW RATE.....	3-3
PURGE DISPENSING STATION	3-3
CHAPTER IV OPERATORS INSTRUCTIONS	4-1
DAILY PRE-OPERATION CHECK	4-1
REPLENISHING CO2 SUPPLY	4-1
COOLING UNIT MAINTENANCE	4-1
CHECKING WATER BATH	4-1
CHANGING WATER BATH	4-2
ADJUSTMENTS	4-2
ADJUSTING WATER RATE	4-2
TESTING FOR LEAKS.....	4-2

CHAPTER V SERVICE AND MAINTENANCE.....	5-1
PERIODIC INSPECTION AND CLEANING	5-1
COOLING UNIT MAINTENANCE	5-2
CLEANING CONDENSER COIL	5-2
CHECKING WATER BATH	5-2
CHANGING WATER BATH	5-3
WATER PUMP MAINTENANCE	5-3
LUBRICATION	5-4
ADJUSTMENTS	5-4
HIGH PRESSURE C02 REGULATOR	5-4
LOW PRESSURE C02 REGULATOR	5-4
REPLENISHING C02 SUPPLY.....	5-5
CLEANING AND SANITIZING	5-5

CHAPTER VI TROUBLESHOOTING	6-1
WATER PUMP MOTOR WILL NOT OPERATE.....	6-1
WATER PUMP CAPACITY TOO LOW	6-1
FROZEN WATER BATH.....	6-1
COOLING OR CONDENSING UNIT NOT OPERATIONAL	6-1
COMPRESSOR DOES NOT OPERATE	6-2
COMPRESSOR WORKS CONTINUOUSLY BUT DOES NOT FORM SUFFICIENT ICE BANK.....	6-2
COMPRESSOR WILL NOT STOP AFTER SUFFICIENTLY COOLING WATER/GLYCOL SOLUTION	6-2
CONDENSER FAN MOTOR NOT OPERATING.....	6-2
SELECTING LOCATION	6-2

LIST OF FIGURES

Fig.	Title	
1	GENERAL VIEW	1-1
2	SAMPLE OF POSSIBLE INSTALLATION	2-1
3	DIRECTIONAL FLOW OF GLYCOL SOLUTION	3-1
4	DIRECTIONAL FLOW OF C02 GAS.....	3-2
5	DIRECTIONAL FLOW OF PRODUCT.....	3-3

PREFACE

INTERNATIONAL CARBONIC INC. has enjoyed over 53 years of manufacturing excellence in the field of carbonation and in the beverage related industry. We have been located in the Southern California area since 1952 and have a long and proud history with quality as our standard and innovation as our goal. Originally started just after World War II in Canfield Ohio as Carbonic Dispensers we enjoyed patents on the first Sodajet type carbonator. This method of carbonation instantaneously carbonated the water to 100% saturation. We developed the first patented dispensing valve to dispense bulk beverage with carbonation equal to or in excess of bottled beverages. A valve with three flavors and soda was another first. We were the first to incorporate the total post-mix package, i.e., carbonation, refrigeration & the ability to dispense from one self contained unit. We have pioneered many such firsts and will continue to develop advance systems for the future, such as electronic interrogatable portion controls to electronic liquid level controls.

We hope you enjoy this product that has been produced to give many years of trouble free service. We thank you for your purchase and hope we may serve you in the future.

G L Y C O L
CHAPTER I

GENERAL DESCRIPTION

This chapter gives the description, theory of operation, and design data for the SPACE CADET GLYCOL, SCR-GLY and related components.

SYSTEM DESCRIPTION

The SPACE CADET GLYCOL, SCR-GLY, is a completely self-contained remote cooling unit. The SCR-GLY is a cabinet containing a refrigeration system/evaporator, water/glycol bath, temperature control, pump and motor. The refrigeration system evaporator is located in the bath section of the unit. The bath section of the unit will hold a solution of water/glycol. This glycol solution will be cooled by the evaporator to a temperature of approximately 24 to 30 degrees. This temperature may vary depending on requirements.

This cooled solution will be routed through a duct line by a pump and motor. This duct line will contain a continuous outgoing and incoming tube, which will carry the cooled glycol solution to the dispensing station and then back to the SCR-GLY. This duct line will also consist of line/s to carry an alcoholic based beverage/s to the dispensing station. The beverage line/s will be nested in between the outgoing and incoming glycol line. This cooled glycol solution in close proximity to the beverage lines will maintain the temperature of an already chilled product. With proper insulation a duct line of a total of 125 feet may be ran to the dispensing station and back.

It should be recognized that with out refrigeration any carbonated beverage would not produce a drink, which will hold carbonation. There is a direct relationship to the dispensed temperature and the volumes of CO₂ that can be held in liquid form. It also must be recognized that it is paramount to have proper insulation on all duct tubing and related tubing to maintain that refrigeration and dispense a quality drink.

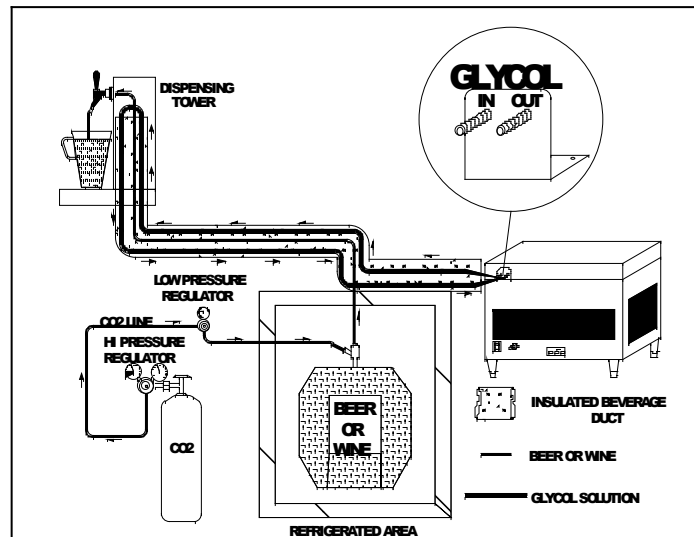


Figure 1
1-1

DESIGN DATA

SCR-GLY

Overall dimensions:

Height**.29 1/4"**
Width**.26 3/4"**
Depth**.15 3/4"**

Weights:

Shipping**.136 pounds**
Dry weight**.108 pounds**
Operational Weight**.165 pounds**

Capacities:

Unit water/glycol bath**.7.5 gallons**
Refrigerant requirement (R-134a)**.8.5 ounces**
240 grams

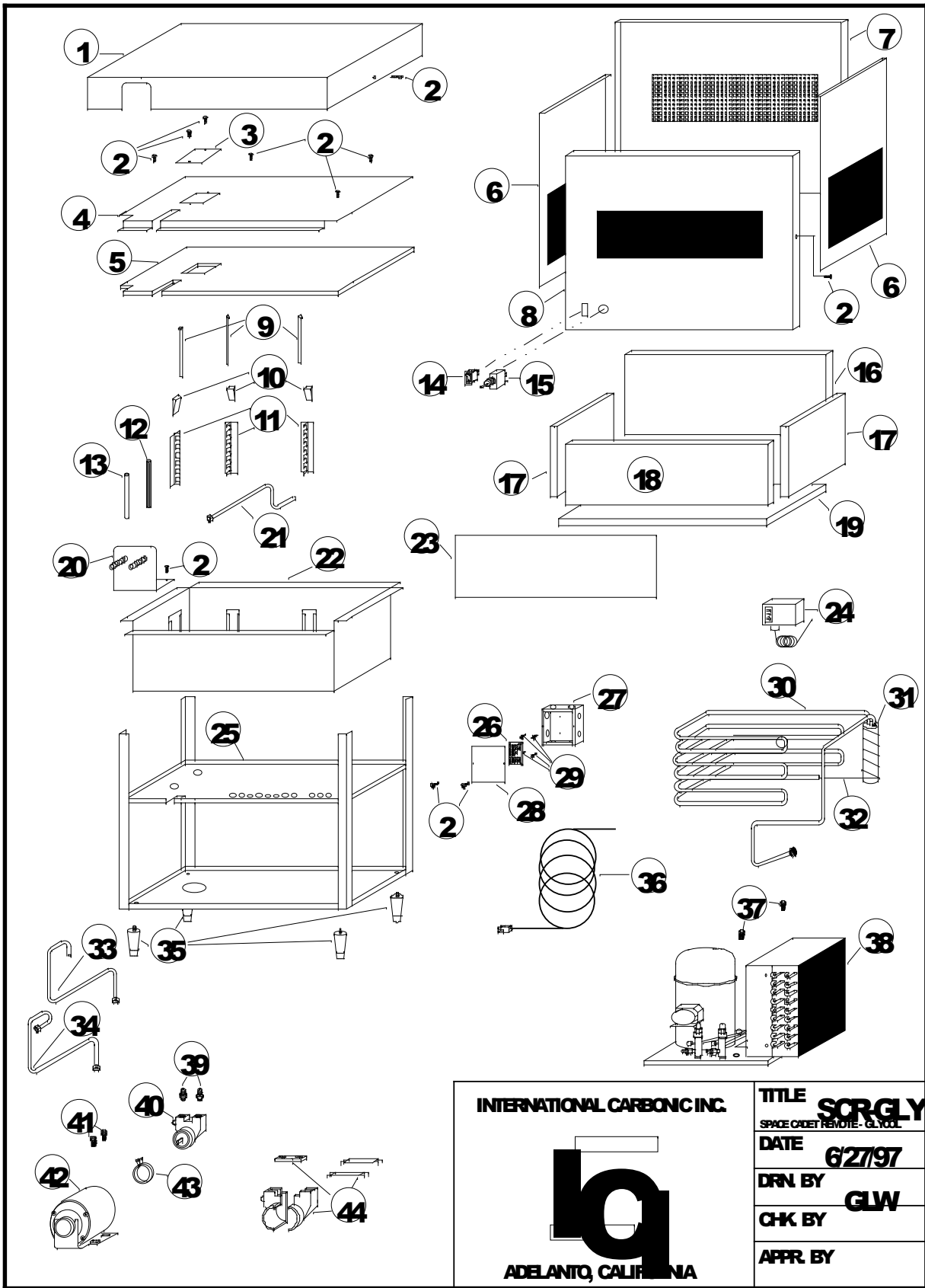
Ambient operating temperature**.40 F to 100 F**

Electrical Requirements:

The cooling unit requires a 115 VAC, single phase, 60-Hertz power circuit.

Circuit Ampacity**.13.5 Amps**
Condensing Unit**.6.8 Amps**
Glycol/Water Pump Motor**.6.7 Amps**

REFRIGERATION 1/3 H.P. capillary, air-cooled.



INTERNATIONAL CARBONIC INC.



ADELANTO, CALIFORNIA

TITLE **SCRGLY**
SPACE CADET REMOTE - G. TOOL

DATE **6/27/97**

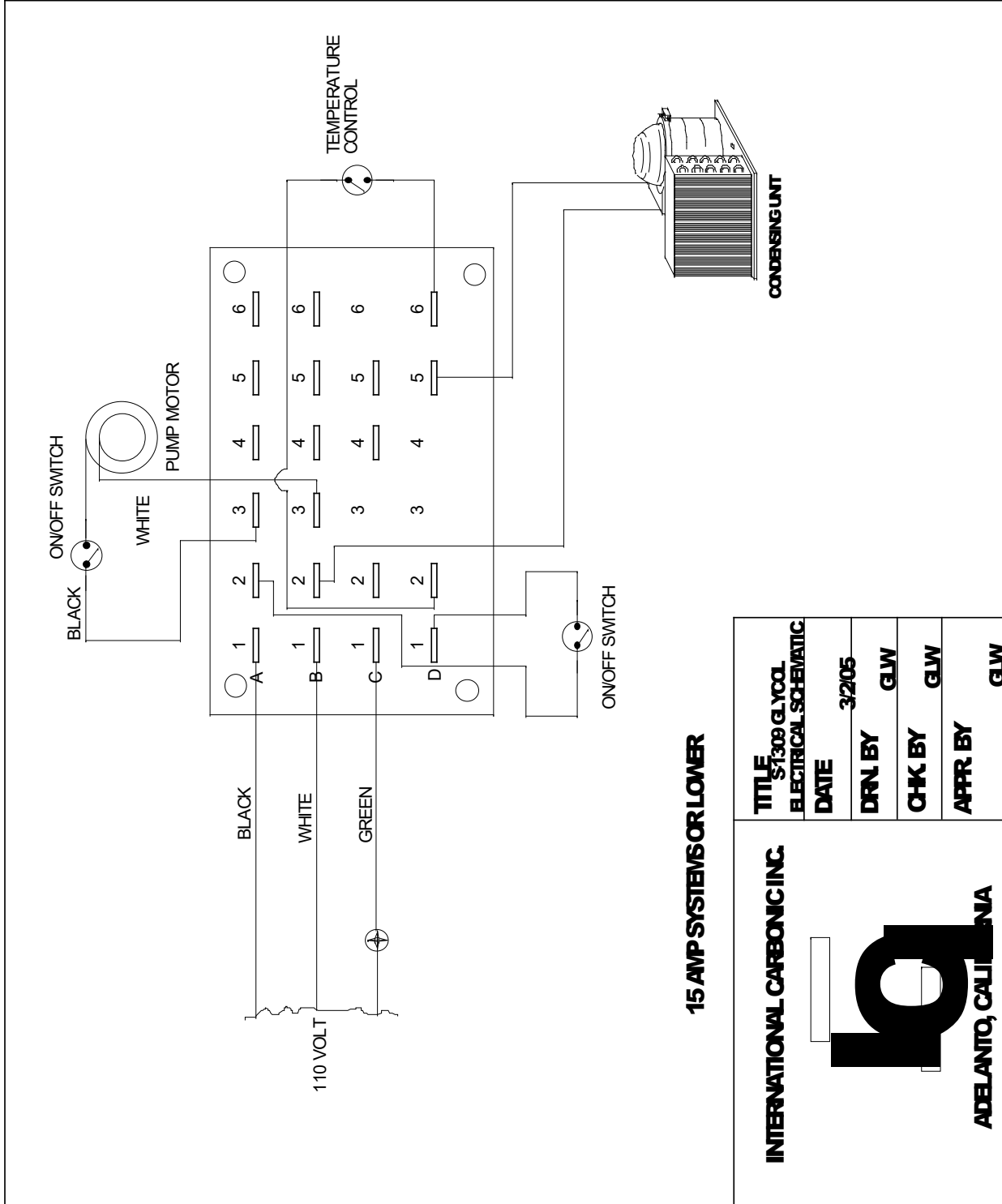
DRN BY **GLW**

CHK BY

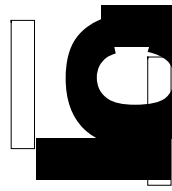
APPR BY

SCR-GLY

SYM	QTY	PART NO.	DESCRIPTION
1	1	S-680	LID
2	18	A-20	SCREW, 8-32 X 3/8 T.H., S.S.
3	1	S-625-A	BUCKET COVER ACCESS PLATE W/INSULATION
4	1	S-625	BUCKET COVER W/INSULATION
5	1	BUCKET COVER INSULATION
6	2	S-679	SERVICE PANEL, SIDE
7	1	S-678	SERVICE PANEL, REAR
8	1	S-678-A	SERVICE PANEL, FRONT W/ SWITCH HOLES
9	5	S-661	EVAPORATOR COIL RETAINER
10	5	S-1323	EVAPORATOR GUIDE WEDGE
11	5	S-662	EVAPORATOR SUPPORT BRACKET
12	1	S-657	STAND PIPE, 7 3/4", WHITE
13	1	S-658	STAND PIPE, 8", GRAY
14	1	S-783	ON/OFF SWITCH
15	1	S-866	ON/OFF SWITCH, TOGGLE FOR MOTOR W/TERMINALS
16	1	INSULATION, REAR
17	2	INSULATION, LEFT & RIGHT SIDE
18	1	INSULATION, FRONT
19	1	INSULATION, BOTTOM
20	1	S-629	GLYCOL CONNECTION BRACKET
21	1	S-628	GLYCOL DISCHARGE TUBE
22	1	S-656	BUCKET COMPLETE W/INSULATION
23	1	MOISTURE BARRIER
24	1	S-86	TEMPERATURE CONTROL, GLYCOL
25	1	S-655	FRAME, COMPLETE
26	1	S-1309	TERMINAL BOARD
27	1	S-1308	CONTROL BOX, W/COVER
28	1	S-1310	CONTROL BOX COVER
29	4	S-1335	TERMINAL BOARD SPACER, NYLON, 3/8"
30	1	S-663	EVAPORATOR COIL ASSEMBLY
31	1	S-509	ACCUMULATOR
32	1	CAP TUBE, 9' - .050
33	1	S-627	GLYCOL INTAKE TUBE
34	1	S-626	GLYCOL CHARGING TUBE
35	1 SET	S-765	LEGS
36	1	E-141-12	CORD
37	1	A-45	5/16 X 18 FLANGE WHIZ LOCK SCREW, 1/2"
38	1	AEA3440YXAXL	CONDENSING UNIT, 1/3 H.P.
		AEA3440YXA	COMPRESSOR ONLY
39	2	S-170	HALF UNION, BRASS
40	1	S-500	PUMP
41	2	A-46	5/16 X 18 FLANGE WHIZ LOCK SCREW, 3/4"
42	1	S-96	MOTOR
43	1	S-106	CLAMP
44	1	S-665	PUMP INSULATION KIT



INTERNATIONAL CARBONIC INC.

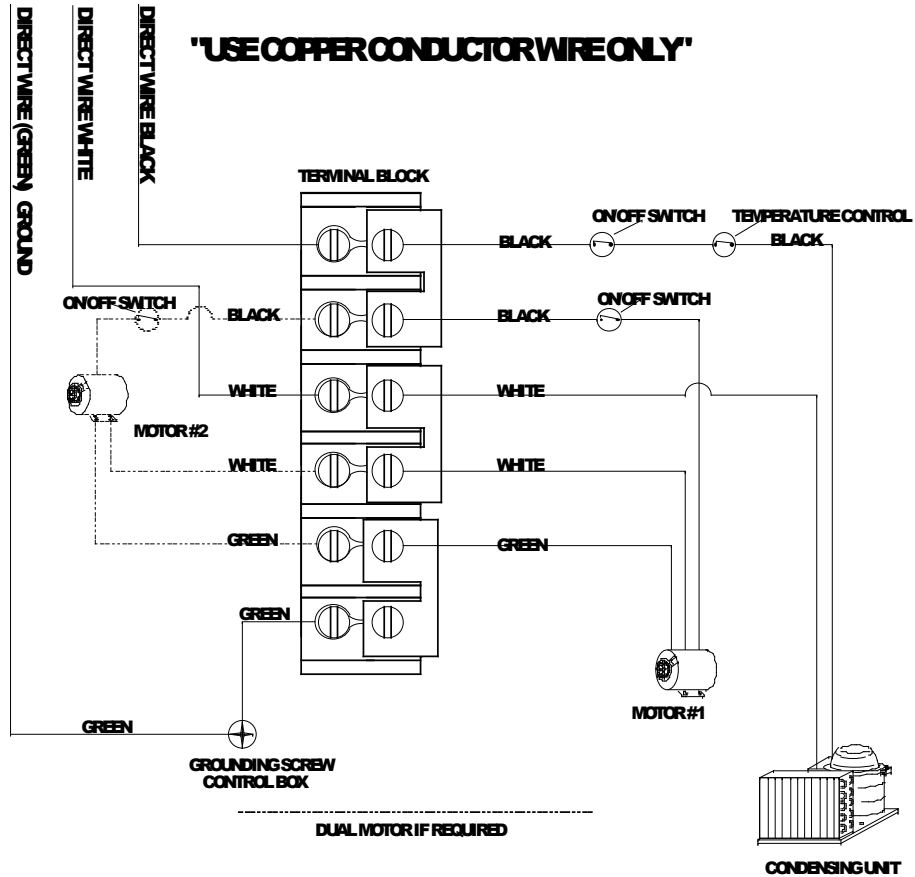


ADELANTO, CALIFORNIA

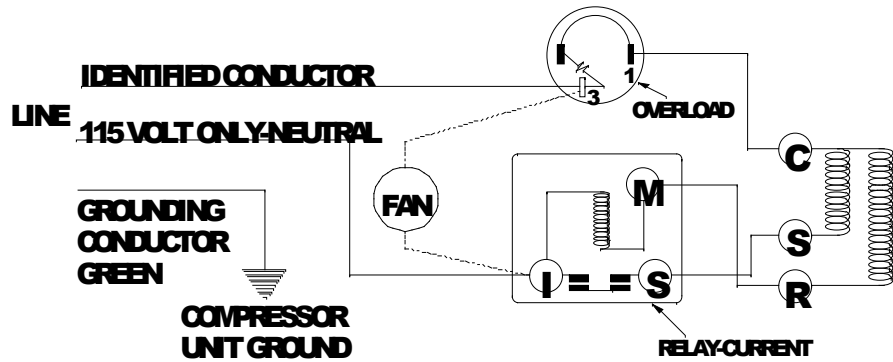
TITLE	S-1309 GLYCOL ELECTRICAL SCHEMATIC
DATE	3/2/05
DRN BY	GLW
CHK BY	GLW
APPR BY	GLW

DIRECT WIRING SCHEMATIC

SCRGLY-D GLYCOL



AEA3440YXAL



301

CHAPTER II
INSTALLATION
SCR-GLY

This chapter covers unpacking and inspection, selecting location, installing SPACE CADET GLYCOL, SCR-GLY and related components, and electrical requirements.

UNPACKING AND INSPECTION

Upon receiving unit, immediately remove SCR-GLY from shipping carton and inspect for shipping damage.

NOTE: Before leaving the factory the SPACE CADET GLYCOL was carefully inspected and the carrier has accepted and signed for it. Any damage or irregularities should be noted at the time of delivery and immediately reported to delivering carrier. Request a written inspection report from claims inspector to substantiate any necessary claim. File claim with delivering agency, not International Carbonic Inc!

SELECTING LOCATION

IMPORTANT: Ambient temperature for cooling unit should not exceed 100 degrees "F". Operation of cooling unit in ambient above 100 degrees "F" can and will contribute to early failure of condensing unit and poor quality of finished product.

LOCATION RECOMMENDATIONS FOR SPACE CADET GLYCOL, SCR-GLY

1. Position unit as close as possible to proper electrical source, 115V 60Hz.
2. Position unit with a minimum of 2" space between bulkhead and cabinet for sufficient space for ventilation. Allow enough space between ceiling and unit for lid removal.
3. Position unit as close as possible to Cooler, within ten feet.
4. Position unit as close as possible to floor drain.
5. For best possible operation keep distance from SCR-GLY to dispensing station(s) as short as possible.

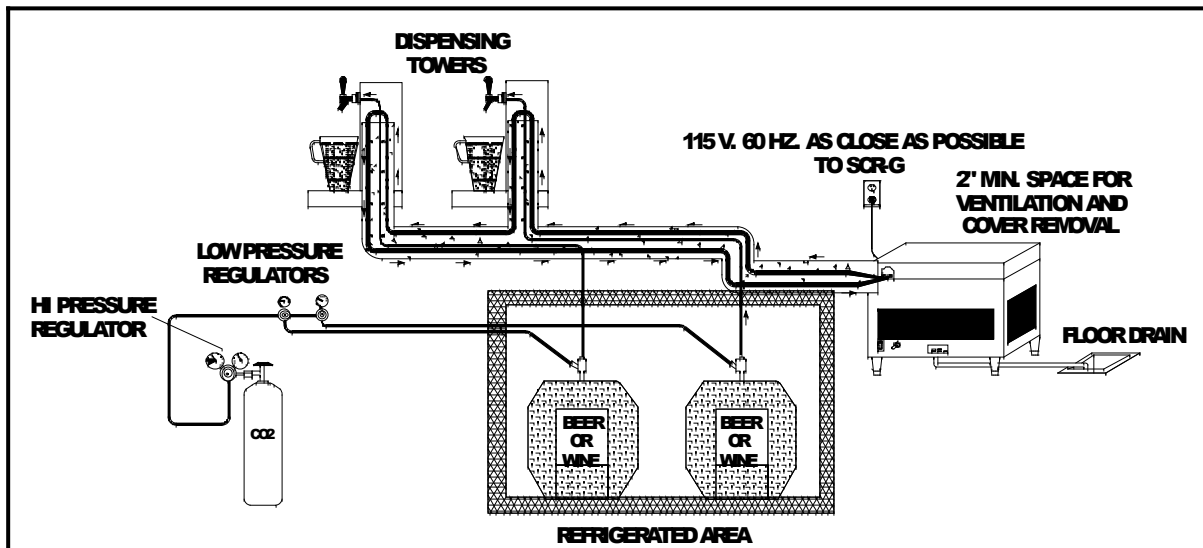


FIGURE 2 SAMPLE OF POSSIBLE INSTALLATION.

INSTALLATION

INSTALL COOLING UNIT

1. **Make all connections:**
2. **Place COOLING UNIT in position. Make sure sufficient space between bulkheads, walls and overheads is available for proper ambient temperature and air circulation around cooling unit.**

INSTALL HIGH PRESSURE CO2 REGULATOR, CO2 CYLINDER AND LINES

1. **Install high pressure CO2 regulator, (S-101), on CO2 cylinder using a new seal gasket.**

MAKE SURE NEW WASHER IS INSIDE REGULATOR ASSEMBLIES COUPLING NUT BEFORE CONNECTING TO CYLINDER.

WARNING: To avoid personal injury and/or property damage, always secure CO2 cylinder with safety chain, to prevent cylinder from falling. Should CO2 cylinder fall valve could become accidentally damaged or broken off. It is recommended that the CO2 cylinder be installed away from heavily traveled areas such as doors, passageways, corridors, etc.

2. **Connect 1/4" inner braided plastic tubing from outlet of high pressure CO2 regulator, (S-101), on CO2 cylinder to Tee connection at secondary low pressure regulator using gas charging line.**
3. **From secondary regulator route a tube to keg or container.**

INSTALL DRAIN LINE

1. **Connect drain line on SCR-GLY unit with drain using 3/8" plastic tubing to nearest floor drain.**
2. **Do not reduce drain connection from cabinet outlet.**
3. **Be sure all connections are watertight.**

INSTALL DISPENSING STATION

Installation Instructions for dispensing station provided with the dispensing station.

INSTALL DUCT TUBING

- 1. Route duct tubing to dispensing station(s) location using shortest route possible.**
- 2. Connect dispensing station end of duct tubing to corresponding lines in dispensing station. See Installation Instructions for dispensing station.**
- 3. It is imperative that after all connections are made secure and tested for leak integrity the assorted lines of tubing be bundled and then insulated. It is recommended that insulation tubing with 1/2" walls minimum be used for this purpose.**
- 4. If duct tubing is routed through a chase or transite it is recommended to seal both ends of chase or transite with a sealing compound. It is important not to allow water or other contaminants in the chase. If this does occur it is possible and highly probable that an off taste will be imparted to all dispensed products. If the duct tubing is routed above ground the duct tubing should be installed above the floor level to facilitate cleaning.**

ELECTRICAL REQUIREMENTS

The SPACE CADET GLYCOL requires a 115 VAC, single phase, 60-Hertz power circuit & must be wired in accordance with N.E.C. or local ordinance.

NOTE: Check CHAPTER I for running amperage and connect to appropriate electrical circuit.

CHAPTER III SCR-GLY PREPARATION

All steps in previous chapters should be understood and carried out before proceeding.

PREPARING SYSTEM FOR OPERATION

Be sure that electrical power is unplugged; valve on C02 cylinder is closed, and relieve all C02 pressure from system.

PREPARING AND STARTING REFRIGERATION UNIT

1. SPACE CADET GLYCOL refrigeration is pre-set at factory and ready to operate.
2. Remove lid.
3. Fill water bath with clean water and glycol until desired percentage of glycol is achieved. The average mixture of water to glycol is approximately 50%. Water bath should be filled until solution level reaches drain standpipe, (S0657), 3.5 gallons of water and 3.5 gallons of glycol.

NOTE: IT IS RECOMMENDED LOW-MINERAL-CONTENT OR DISTILLED WATER BE USED IN WATER BATH. WITH A 20 PERCENT SOLUTION OF GLYCOL WITH WATER, ICE CRYSTALS WILL START FORMING AT APPROXIMATELY 19 DEGREES F. NORMAL PERCENTAGE OF GLYCOL WILL BE A 50% SOLUTION.

4. Plug SPACE CADET GLYCOL power cord into proper electrical outlet. Switch on power switch, and pump motor switch. Make sure compressor, condenser fan motor, and circulating pump motor start. When pump motor is activated the solution in the water bath will fill tubing in duct line lowering the level of the solution bath. Once all tubing has been filled and lowest level is reached in solution bath, shut off pump motor. Refill water bath to proper level with correct percentage of solution.

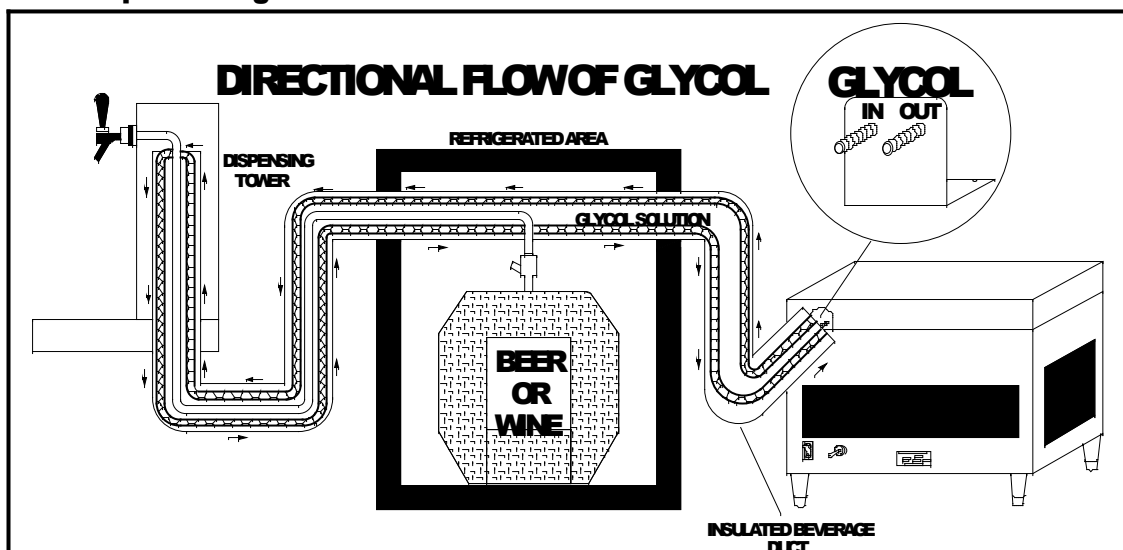
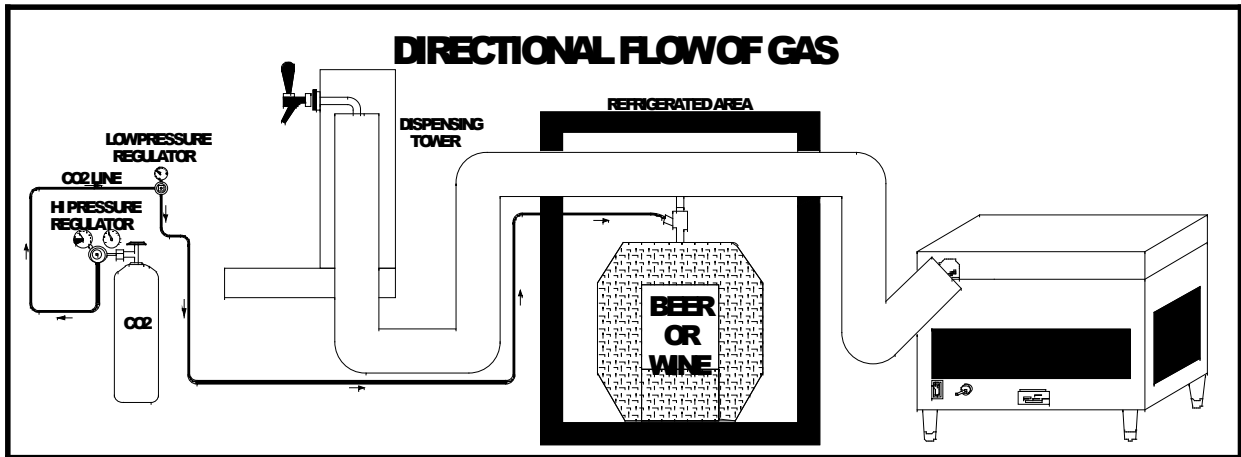


FIGURE 3 DIRECTIONAL FLOW OF GLYCOL SOLUTION

5. Re-fill water bath with a 50/50 solution of glycol and water until solution level is just below S0657 standpipe.
6. Activate pump motor.
7. The process of cooling the solution bath and duct tubing will commence at initial start up. With ambient and water temperature of 75 degree "F" initial pull down from 75 degrees to 32 degrees will take approximately 3 hours for the water bath only. When desired glycol/water bath temperature has been reached, compressor and condenser fan motor will stop. Circulating pump motor will continue to operate, circulating the glycol solution in bath and duct tubing. Pull down time will vary depending on length of duct tubing.



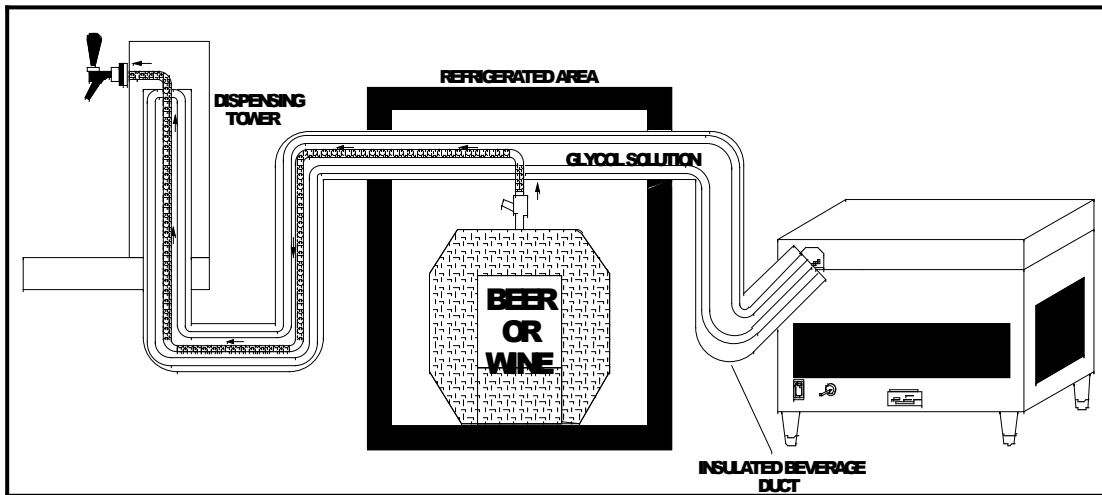
DIRECTIONAL FLOW OF CO2 GAS
FIGURE 4

ACTIVATE HIGH PRESSURE CO2 SYSTEM

1. Open valve on the CO2 cylinder. Be sure to open valve completely or until valve is back seated.
2. Turn high pressure CO2 regulator; screw clockwise until the desired pressure is reached for applicable beverage.
3. Check all connections on high pressure CO2 system for leaks. Repair any leaks that are found.

ACTIVATE LOW PRESSURE CO2 GAS.

1. Make sure high pressure CO2 regulator pressure is set for applicable beverage.
2. Make sure All Q.C.D.'s are in an operational position.



**DIRECTIONAL FLOW OF PRODUCT
FIGURE 5**

ADJUST FLOW RATE

Adjust, dispensing valve, flow rate as instructed in, dispensing station, Installation Instructions.

ADJUST SIZE OF DRINK DISPENSED

Adjust size of drink dispensed as instructed in, dispensing station, Installation Instructions.

PURGE DISPENSING STATION

Dispense product from dispensing station until all air is purged from duct beverage lines.

CHAPTER IV
SCR-GLY
OPERATORS INSTRUCTIONS

This chapter covers operators' responsibilities for daily pre-operation check, adjustments, replenishing C02 and cleaning, and sanitizing.

DAILY PRE-OPERATION CHECK

- 1. Make sure high-pressure C02 regulator's pound per square inch indicator is not in shaded portion of dial. If so, C02 cylinder is almost empty and must be replaced.**

NOTE: This reading should be carried out at normal room temperature.

- 2. Make sure there is a sufficient beverage supply refrigerated and ready to dispense.**

REPLENISHING C02 SUPPLY

NOTE: When pound per square inch indicator of high pressure C02 regulator on C02 cylinder is in shaded portion of the dial, C02 cylinder is almost empty and should be changed.

C02 supply must be checked daily and if necessary, replenished as instructed (see CHAPTER II).

COOLING UNIT MAINTENANCE

NOTE: Air circulation through the condenser coil required to cool the condenser coil/compressor, is drawn in through grills on cooling unit, through condenser coil and is exhausted out grills on the other side of the unit. Restricting air circulation through the cooling unit will decrease its cooling capacity.

To avoid needless and sometimes costly repairs, it is imperative to keep condenser fins clean. This may be accomplished by one of three methods. One method is use of a condenser brush (a longhaired, soft bristle brush) to gently sweep fins of condenser clean. Second method is to use a strong vacuum. The third method is to use C02 or an air hose to blow out condenser. The latter method should only be attempted after normal business hours to avoid dust contamination.

CHECKING WATER BATH

Periodically check solution level in water bath. If solution level is low a combination of water/glycol should be added as instructed for maximum product cooling. This dehydration will normally not occur in normal temperate climate zones. With normal humidity the opposite will occur therefore it is paramount that the condensate drain be installed.

CHANGING WATER BATH

Drain water bath a minimum of twice a year. This can be accomplished by locating the standpipe in the water bath area and removing by twisting and pulling up. Once water is drained water bath, water coils, bath walls, tank(s), etc. should be cleaned. Replace standpipe and refill with desired proportion of water and glycol. Fill water bath to top of standpipe, (S0657).

AJDJUSTMENTS

Periodically C02 regulators should be checked for proper pressure settings and if necessary, adjusted as instructed. These settings can be recorded in NOTE section of this manual.

ADJUSTING WATER RATE

If adjustment of flow rate should be necessary, adjust as instructed by beverage manufacturer recommendations.

TESTING FOR LEAKS

- 1. Completely back off adjusting screw on low pressure C02 regulator.**
- 2. Close valve on top C02 cylinder.**
- 3. Wait for 5 minutes or more. If pressure on high pressure gauge decreases excessively, there is leak in the carbonator circuit.**
- 4. All connections including cylinder valve should be coated with a soap solution. If bubbles appear a leak is apparent.**
- 5. Always be sure that the low pressure adjusting screw is completely backed off before testing carbonator circuit for leaks. Otherwise, gas going into syrup tanks would cause this high pressure gauge needle to balance with pressure in syrup tanks, which would be a false indication of a leak in the carbonator circuit.**
- 6. After it has been determined that there are no leaks in the carbonator circuit, open C02 cylinder valve and adjust low pressure regulator to 15 psi. Allow enough time for the syrup tanks to fill completely with gas. (5 minutes or longer).**
- 7. Next, completely back off low-pressure regulator adjusting screw, and if gauge needle of low-pressure regulator commence to move downward, there is leak in the low-pressure circuit. Check all connections with a soap solution, paying particular attention to syrup tank covers. If low pressure gauge needle remains stationary, there is no leak.**

CHAPTER V

SERVICE AND MAINTENANCE

This chapter describes service and maintenance procedures to be performed on SPACE CADET GLYCOL remote systems and related components.

PERIODIC INSPECTION AND CLEANING

Daily:

1. **Clean any storage tanks/B.I.B. racks, connecting sockets/Q.C.D.'s and general storage area with warm water.**
2. **Check the C02 gas supply. If cylinder pressure is below 500 P.S.I., replace the cylinder.**
NOTE: Readings should be taken at normal room temperature, approximately 70 degrees "F" and above. If C02 cylinder is stored in a walk-in refrigerator, the P.S.I. indicator will read below 500 psi even when cylinder is full.
3. **Check the C02 gas pressure supplying cooled beverage. These pressures should not change. If a change occurs repeatedly, contact your local service agency. It is suggested to make a comment about this occurrence in NOTE SECTION of manual.**
4. **Clean the beverage dispensing area.**
5. **Remove and clean nozzles and all exposed areas on valves.**
6. **Wipe exterior of unit with moist towel. Stainless cleans well with carbonated water.**

Weekly:

1. **Order syrup to maintain product inventory.**
2. **Check all C02 gas connections for leaks.**
3. **Check condenser coil for obstructions or dirt.**

Monthly:

1. **Clean condenser fins or filter to make sure the refrigeration unit has adequate air flow.**
2. **Inspect components of cooling unit water bath for cleanliness.**
4. **Check entire system for leaks or damaged components. Repair as necessary.**

COOLING UNIT MAINTENANCE

PERIODIC CLEANING

Periodically wash all external surfaces of cooling unit, rinse with clean water, and then wipe dry with a clean soft cloth.

DO NOT USE ABRASIVE TYPE CLEANERS.

CLEANING CONDENSER COIL

IMPORTANT: Air circulation through the condenser coil required to cool the condenser coil/compressor, is drawn in through grills on cooling unit, through condenser coil and exhausted out grills on the other side of unit. Restricting air circulation through the cooling unit will decrease its cooling capacity.

NOTE: Cleaning condenser coil should be done during non-business hours.

1. **Unplug refrigeration unit power cord from electrical socket.**
2. **Remove 6 screws securing service panels, (S0678, S0679), 2 screws per service panel. Remove panels in preparation for service.**
3. **Vacuum or use a soft brush to clean fins of condenser coil. Use low-pressure compressed air or C02 gas to blow through condenser fins. This should only be performed after normal business hours to prevent dust contamination. A damp cloth on backside of condenser coil will prevent some dust contamination.**
4. **Plug refrigeration unit power cord in electrical socket.**

CHECKING WATER BATH

Periodically check solution level in water bath. If it is low, more solution should be added for maximum product cooling. Before adding more solution, water bath and evaporator should be checked for excessive mineral deposit build up.

1. **Unplug refrigeration unit power cord from electrical socket.**
2. **Lift lid up and off unit.**
3. **Look down into water bath (use flashlight, if necessary) and inspect water bath, and all components for cleanliness. Water, bath and all components should be clear and free of foreign particles.**
4. **If cleaning of water bath or its components is necessary, do it as outlined in "CHANGING WATER BATH" in this chapter.**
5. **Fill water bath to top of standpipe, (condensate drain), with desired percentage of solution.**

IT IS RECOMMENDED LOW-MINERAL-CONTENT OR DISTILLED WATER BE USED TO FILL WATER BATH.

6. **Install lid.**
7. **Plug refrigeration unit power cord in proper electrical socket.**

CHANGING WATER BATH

NOTE: The solution in water bath should be changed and all components in water bath should be cleaned as often as necessary to keep it clean. A convenient time to perform this operation is when the system is being sanitized.

1. **Unplug refrigeration unit power cord from electrical socket.**
2. **Remove lid from water bath.**
3. **Look down into water bath (if necessary, use flashlight) and inspect water bath, evaporator and all components for cleanliness. Solution, evaporator and all components should be clear and free of foreign particles.**
4. **Pull out standpipe and allow solution to drain.**
5. **Use fiber brush and carefully clean mineral deposit from all components.**
6. **Wash evaporator coil with a mild soap solution. Copper cleans well with mild solution of citric acid (1 cup of citric acid for 2 gallons of water). Stainless steel cleans well with carbonated water. Then rinse with clean water.**
7. **Rinse out water bath with clean water until water running out of drain hose is clean.**
8. **Install standpipe in drain hose.**
9. **Fill water bath to top of stand pipe, (condensate drain), with proper proportion of glycol/water solution.**

IT IS RECOMMENDED LOW-MINERAL-CONTENT OR DISTILLED WATER BE USED TO FILL WATER BATH.

10. **Install lid.**
11. **Plug SCR-GLY unit power cord in electrical socket.**

WATER PUMP MAINTENANCE

1. **Unplug SCR-GLY power cord from electrical socket.**
2. **Remove lid.**
3. **Remove 6 screws securing service panels, (S0678, S0679), 2 screws per service panel. Remove panels in preparation for service.**

4. Remove inlet and outlet lines from 50 GPH pump. It may be necessary to cap inlet and outlet lines to prevent a siphon effect for the glycol solution in the duct lines.
5. Loosen and remove S-106 "V" band clamp holding pump to motor.
6. Replace defective S-500 pump.
7. Reassemble SCR-GLY.

LUBRICATION

Water pump motor bearings must be oiled periodically. Refer to oiling instruction on motors. **DO NOT OVER OIL.**

ADJUSTMENTS

HIGH PRESSURE CO2 REGULATOR

The high pressure CO2 regulator will have two gauges which extend above and to the side of the bell housing screw area. The P.S.I. gauge will show graduated indications up to 3000 psi and be the gauge the farthest from the CO2 cylinder connection. This gauge will normally have a Red area indicating 500 psi to 0 psi. This gauge will be used to check volume of liquid in the CO2 cylinder. The other gauge will show regulated pressure which will be delivered to our SPACE CADET GLYCOL Is low pressure regulator. This gauge can be indicated from 0-160 psi up to 0-300 psi. By turning the high-pressure regulator adjustment screw clockwise we will increase pressure supplied to our carbonator which will be indicated on this gauge. When adjusting CO2 high-pressure regulator a setting of approximately 60 PSI is recommended for beer and wine.

LOW PRESSURE CO2 REGULATOR

The low pressure CO2 regulator setting can and will vary dramatically from one installation to the next. Variables such as distance from product containers to point of serving, horizontal or vertical runs, baume of products will influence where the low-pressure regulator is adjusted.

A good starting point as an adjustment is a few pounds higher than that of the racked pressure of your dispensed product. Example the racked setting for Coors is 14 lbs. psi where the racked pressure of Budwieser is 18 lbs. psi.

NOTE: After primary adjustment on low-pressure regulator always go to farthest serving station from product storage area and adjust for flow. If adjustment can be made proceed with all other flavors.

REPLENISHING C02 SUPPLY

- 1. Close empty C02 cylinder shutoff valve.**
- 2. Disconnect high pressure C02 regulator, then remove empty C02 cylinder.**
- 3. Install full C02 cylinder and connect high pressure C02 regulator. See installation procedure in CHAPTER II.**

MAKE SURE C02 CYLINDER IS POSITIONED IN UPRIGHT POSITION AND FASTENED WITH SAFETY CHAIN. ALWAYS OPEN C02 VALVE COMPLETELY OR UNTIL BACK SEATED DURING OPERATION. WHEN BOTTLE IS EMPTY ALWAYS CLOSE VALVE ASSEMBLY COMPLETELY.

CLEANING AND SANITIZING

Your local Health Department rules and general area cleanliness should determine the frequency of which the unit should be sanitized.

TROUBLE SHOOTING

IMPORTANT: Only qualified personnel should service SCR-GLY unit and components.

WARNING: To avoid personal injury and or property damage, always disconnect electrical power, shut off plain water and CO2 supplies before starting any repairs. If repairs are to be made to the carbonated water system, bleed carbonated water system pressure before proceeding. If repairs are to be made to syrup system, remove quick disconnects from syrup tanks, or remove QCD from BIB, then bleed system pressure before proceeding.

COOLING UNIT

Trouble		Probable Cause		Remedy
Water/Glycol pump motor will not operate	<ol style="list-style-type: none"> 1. 2. 3. 4. 	<ol style="list-style-type: none"> 1. Inoperable water pump/motor. 2. Overheated motor (cut off by thermal overload protector). 3. Loose electrical connection and/or open electrical circuit. 4. Bad glycol pump 	<ol style="list-style-type: none"> 1. 2. 3. 4. 	<ol style="list-style-type: none"> 1. Replace water pump/motor. 2. Check for proper line voltage. Allow motor time to cool. 3. Tighten connection and/or repair open circuit. Check line voltage. 4. Replace glycol pump
Water/Glycol pump capacity to low	<ol style="list-style-type: none"> 1. 2. 3. 4. 	<ol style="list-style-type: none"> 1. Inlet water volume supply to low. 2. Water motor/pump worn out. 3. Kinked or restricted water supply line. 4. Foreign object in water pump or restriction to water pump. 	<ol style="list-style-type: none"> 1. 2. 3. 4. 	<ol style="list-style-type: none"> 1. Increase diameter of supply line, install holding tank. 2. Replace water pump. 3. Clear or replace restricted water supply line. 4. Clear restrictions and check pump strainer for debris.
Frozen water bath	<ol style="list-style-type: none"> 1. 2. 3. 	<ol style="list-style-type: none"> 1. Bad temperature control. 2. Temperature control set to low 3. Percentage of glycol to light 	<ol style="list-style-type: none"> 1. 2. 3. 	<ol style="list-style-type: none"> 1. Replace bad temperature control. 2. Adjust temperature control 3. Add more glycol

Cooling or condensing unit non-operational	<ol style="list-style-type: none"> 1. 2. 3. 4. 5. 6. 7. 8. 	<ol style="list-style-type: none"> 1. No electrical power. 2. Defective Temp. control. 3. Dirty condenser unit. 4. Improper voltage/amperage 5. Loss of refrigerant. 6. Bad overload and relay. 7. Compressor bad. 8. Restriction (pinched or crimped line). 	<ol style="list-style-type: none"> 1. 2. 3. 4. 5. 6. 7. 8. 	<ol style="list-style-type: none"> 1. Plug power cord into electrical box. Check on/off switch. 2. Replace Temp. control. 3. Clean condenser unit w/vacuum cleaner. 4. Check for proper voltage/amperage. 5. Repair leak and replenish refrigerant. 6. Replace overload and relay 7. Replace compressor. 8. Repair, straighten or replace defective line.
Compressor does not operate	<ol style="list-style-type: none"> 1. 2. 3. 4. 5. 6. 7. 8. 	<ol style="list-style-type: none"> 1. No power source. 2. Electrical power to cooling unit turned off. 3. Low voltage. 4. Loose, disconnected, or broken wire. 5. Inoperative ice bank control. 6. Inoperative overload protector or start relay. 7. Inoperative compressor. 8. Full ice bank. 	<ol style="list-style-type: none"> 1. 2. 3. 4. 5. 6. 7. 8. 	<ol style="list-style-type: none"> 1. Plug power cord to electrical box. Check line voltage. 2. Turn on power switch to unit. 3. Voltage must be at least 110 V at compressor terminals at start. 4. Tighten connection or replace broken wiring. 5. Replace ice bank control. 6. Replace defective part. 7. Replace compressor. 8. Refrigeration not called for.
Compressor works continuously but does not cool sufficiently	<ol style="list-style-type: none"> 1. 2. 3. 4. 	<ol style="list-style-type: none"> 1. Cooling capacity is exceeded by over drawing. 2. Cooling unit located in excessively hot area. 3. Air circulation through condenser coil is restricted 4. Loss of refrigerant or insufficient charge. 	<ol style="list-style-type: none"> 1. 2. 3. 4. 	<ol style="list-style-type: none"> 1. Reduce amount of drinks taken per given time of install higher volume unit. 2. Relocate cooling unit. 3. Check and if necessary, clean condenser coil. 4. Repair leak and/or recharge with sufficient refrigerant.
Compressor will not stop after cooling water/glycol solution	<ol style="list-style-type: none"> 1. 2. 	<ol style="list-style-type: none"> 1. Ice bank control capillary tube kinked or broken. 2. Ice bank control stuck in closed position. 	<ol style="list-style-type: none"> 1. 2. 	<ol style="list-style-type: none"> 1. Replace ice bank control. 2. Replace ice bank control.

Note: During overload protector shut off condenser fan motor will continue to work. Otherwise, troubleshooting condenser fan motor problems is the same as “Compressor does not operate”, paragraph in addition to the following.

Condenser fan motor not operating	1.	Electrical cord loose or disconnected from condenser fan motor or compressor terminals.	1.	Tighten connections or replace cord.
	2.	Fan blade obstructed.	2.	Remove obstruction.
	3.	Inoperative condenser fan motor.	3.	Replace condenser fan motor.